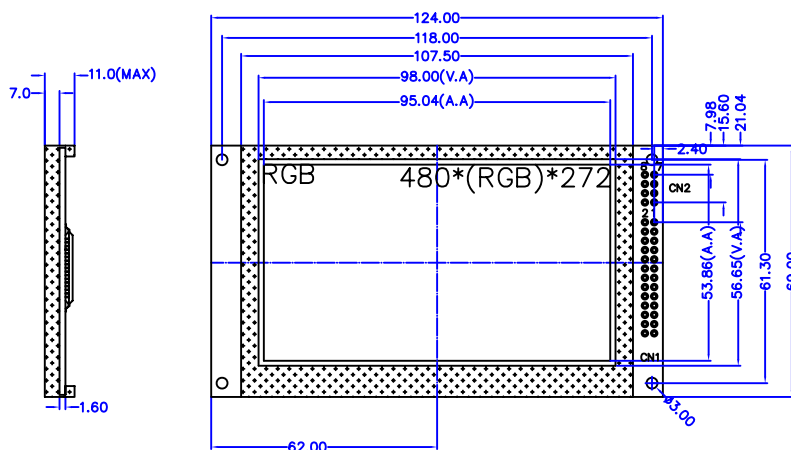


CUSTOMER'S APPROVED:

DATE:

REVISIONS		
DATE	BY	DESCRIPTION
11/07/11	X.L	NEW RELEASE



Pin Assignment

NO.	SYMBOL	DESCRIPTION
1	VSS	GROUND
2	VDD	POWER SUPPLY FOR LOGIC AND LCD
3	RST	RESET SIGNAL (LOW EFFECTIVE)
4	SCS	SPI CHIP SELECT
5	SDO	DATA OUTPUT FOR SERIAL I/F
6	SDI	DATA INPUT FOR SERIAL I/F
7	SCL	SPI CLOCK
8	INT	LCD interrupt signal

Feature

- 4.3" TFT, 480 × RGB × 272 dots
- POWER SUPPLY: 3.3V
- Number of the color: 65K colors
- BACKLIGHT: LED BACKLIGHT
- COLOUR OF BACKLIGHT: WHITE
- VIEWING ANGLE: 6 O'CLOCK
- TEMPERATURE RANGE: EXTENDED (-20--70)
- LOW CONSUMPTION, LOW VOLTAGE, HIGH CONTRAST

Mechanical Data

ITEM	SPECIFICATION	UNIT
OVERALL SIZE	124.0W x 69.0H x 10.6T	MM
VIEWING AREA	98.7W x 57.15H	MM
DOT NUMBER	480(RGB) x 272	DOTS

NOTE: CN2 is SPI PIN

Electrical Characteristics

ITEM	SYMBOL	MIN	TYP	MAX	UNIT
VOLTAGE FOR LOGIC	VDD-VSS	2.8	3.3	3.5	V
INPUT VOLTAGE	H	ViH	0.7VCC	VCC	V
	L	ViL	0	0.3VCC	V

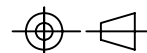
TEMPERATURE CHARACTERISTICS

ITEM	SYMBOL	MIN	MAX
Operating Temperature	TOP	-20	+70
Storage Temperature	TST	-30	+80
INPUT VOLTAGE	Vi	Vi	VDD

DESCRIPTION: C/D 深圳市新雁飞科技有限公司 TEL: 86-755-29916849
FAX: 86-755-81467780

GENERAL TOL: ±0.2 WWW.XINYANFEITECH.COM Drw wxy

DO NOT SCALE THIS DRAWING.



Unit: mm

Chk
Apv

TFT480272P56C-TP

XYF